



CONTACT

Quality Leader in
Truck Attachments

- Drum handlers
- Self powered attachments
- Lifting devices and booms
- Wide load handling
- Recycling containers
- Premises cleaning
- Fall prevention cages
- Truck forks



Lifting Industry Standards



Certificate No. 1 M20306



Contact Attachments
Mochdre Industrial Estate
Newtown
Powys
SY16 4LE

tel : 01686 611200
fax : 01686 611201

Carriage Mounted Extending Jib

The ideal solution for dedicated fork trucks lifting varying lengths of loads.



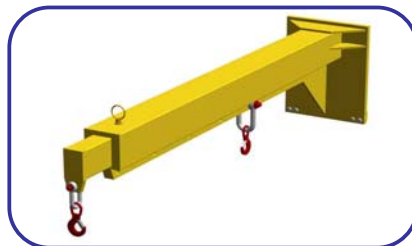
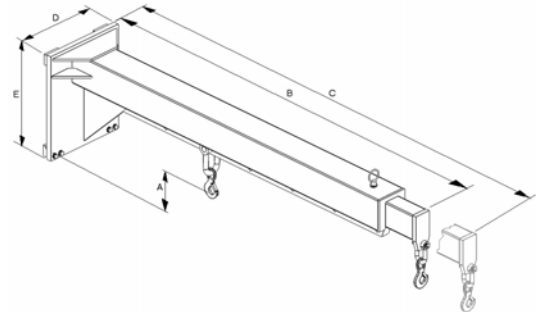
Use :-

A manually extending jib which mounts directly onto the carriage of your fork lift truck. Allows the versatility of long reach or alternatively the manoeuvrability of a shorter reach jib.

Model Ref.	Truck Capacity	'A' Hook Height	'B' Closed length	'C' Open length	Carriage Class	'D' Carriage width	'E' Carriage height
CMX500-1.8	2000 kg	44 mm	2000 mm	3000 mm	2	400 mm	500 mm
CMX500-2.2	2500 kg	33 mm	2000 mm	3000 mm	2	400 mm	500 mm
CMX500-2.7	3000 kg	121 mm	2000 mm	3000 mm	3	500 mm	600 mm
CMX500-3.1	3500 kg	133 mm	2000 mm	3000 mm	3	500 mm	600 mm
CMX500-3.5	4000 kg	107 mm	2000 mm	3000 mm	3	500 mm	600 mm
CMX500-4.4	5000 kg	107mm	2000 mm	3000 mm	3	500 mm	600 mm

Ordering Information :-

Truck Capacity?
Carriage Class?
Details of load to be handled?



Model Ref.	Weight	C of G Min	C of G Max
CMX500-1.8	125 kg	670mm	870mm
CMX500-2.2	125 kg	670mm	870mm
CMX500-2.7	210 kg	705mm	905mm
CMX500-3.1	210 kg	705mm	905mm
CMX500-3.5	212 kg	705mm	905mm
CMX500-4.4	212 kg	705mm	905mm

Capacity (kg) at Load Centers (mm) shown

Model Ref.	Truck Capacity	500	750	1000	1250	1500	1750	2000	2250	2500	2750	3000
500-1.8	2000 kg	1800	1400	1100	900	720	580	500	360	330	260	210
500-2.2	2500 kg	2200	1800	1400	1100	1000	850	750	560	440	320	230
500-2.7	3000 kg	2700	2050	1450	1200	1100	900	840	670	490	360	270
500-3.1	3500 kg	3100	2500	1900	1500	1200	1000	900	730	580	450	370
500-3.5	4000 kg	3500	2700	2000	1600	1300	1100	1000	820	670	540	460
500-4.4	5000 kg	4400	3400	2700	2200	1850	1400	1100	900	750	620	500

Freephone
0800
028 3332

Call now for your personal
quote and further info

www.forklift-attachments.co.uk
email : sales@forklift-attachments.co.uk

