



CONTACT

Quality Leader in
Truck Attachments

- Drum handlers
- Self powered attachments
- Lifting devices and booms
- Wide load handling
- Recycling containers
- Premises cleaning
- Fall prevention cages
- Truck forks



Contact Attachments
Mochdre Industrial Estate
Newtown
Powys
SY16 4LE

tel : 01686 611200
fax : 01686 611201

Fork Mounted Hydraulic Extending Jib

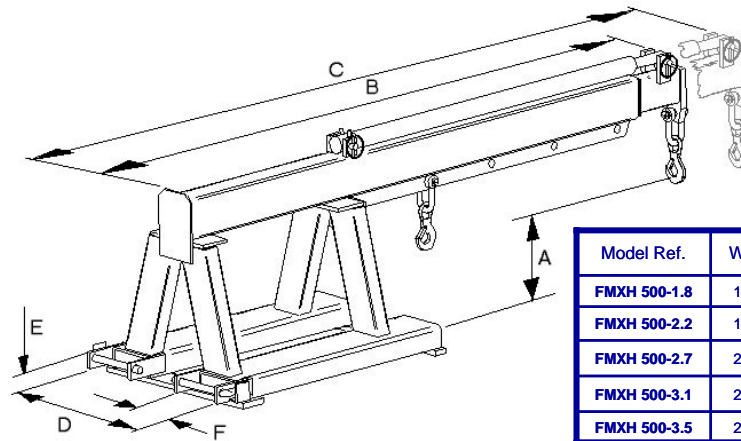
The ideal telescopic jib for use with fork trucks, lifting varying loads at varying load centres. Hydraulically extending (unloaded)



Use :-

Allows transport of long loads. The two hooks provided allow loads to be slung at greater centres than with a conventional fixed jib. The greater length available allows loads to be picked up from otherwise inaccessible areas. Supplied complete with two swivel hooks. Hydraulically operated can be extended ready for lift without the driver leaving the seat.

Model Ref.	Truck Capacity	'A' Hook Height	'B' Closed Length	'C' Open Length	'D' Fork Spread	'F' Max Fork Width	'E' Max Fork Thickness
FMXH500-1.8	2000 kg	191 mm	2000 mm	3000 mm	496 mm	125 mm	50 mm
FMXH500-2.2	2500 kg	193 mm	2000 mm	3000 mm	496 mm	125 mm	50 mm
FMXH500-2.7	3000 kg	176 mm	2000 mm	3000 mm	546 mm	150 mm	50 mm
FMXH500-3.1	3500 kg	163 mm	2000 mm	3000 mm	546 mm	150 mm	50 mm
FMXH500-3.5	4000 kg	137 mm	2000 mm	3000 mm	546 mm	150 mm	50 mm



Model Ref.	Weight	C of G Min	C of G Max
FMXH 500-1.8	170 kg	928 mm	1125 mm
FMXH 500-2.2	185 kg	928 mm	1125 mm
FMXH 500-2.7	220 kg	921 mm	1103 mm
FMXH 500-3.1	240 kg	921 mm	1103 mm
FMXH 500-3.5	258 kg	921 mm	1103 mm

Capacity (kg) at Load Centers (mm) shown

Model Ref.	Truck Capacity	500	750	1000	1250	1500	1750	2000	2250	2500	2750	3000
500-1.8	2000 kg	1800	1400	1100	900	720	580	500	360	330	260	210
500-2.2	2500 kg	2200	1800	1400	1100	1000	850	750	560	440	320	230
500-2.7	3000 kg	2700	2050	1450	1200	1100	900	840	670	490	360	270
500-3.1	3500 kg	3100	2500	1900	1500	1200	1000	900	730	580	450	370
500-3.5	4000 kg	3500	2700	2000	1600	1300	1100	1000	820	670	540	460



Ordering Information :-

Truck Capacity?
Fork Width, Thickness and Length?
Details of load to be handled?
Max Fork Spread?

www.forklift-attachments.co.uk
email : sales@forklift-attachments.co.uk

Freephone
0800
028 3332

Call now for your personal
quote and further info

