



**CONTACT**

Quality Leader in  
Truck Attachments

- Drum handlers
- Self powered attachments
- Lifting devices and booms
- Wide load handling
- Recycling containers
- Premises cleaning
- Fall prevention cages
- Truck forks



Lifting Industry Standards



Certificate No. 1 M20306



**Contact Attachments**  
Mochdre Industrial Estate  
Newtown  
Powys  
SY16 4LE

tel : 01686 611200  
fax : 01686 611201

# Low-Liner Jib

The entry level solution for fork trucks lifting loads at varying load centres.

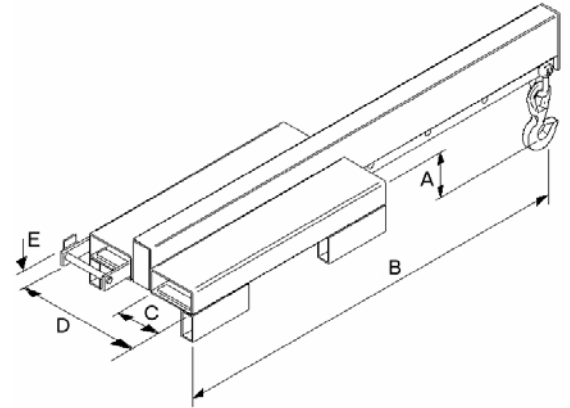
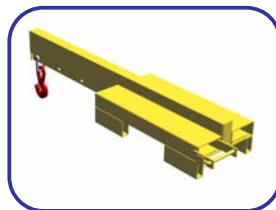


### Use :-

An inexpensive jib which gives longer reach capabilities for picking up product which is difficult to palletise or for handling motors, press tools etc. from positions which are hard to access. Supplied c/w hook and shackle which can be moved to any lifting position.

Model Ref.	Truck Capacity	A' Hook Height	B' Last Hole	C' Max Fork Width	D' Fork Spread	F' Max Fork Thickness
LLJ 500-0.8	1000 Kg	289 mm	1750 mm	125 mm	365 mm	50 mm
LLJ 500-1.0	1300 Kg	289 mm	1750 mm	125 mm	365 mm	50 mm
LLJ 500-1.3	1500 Kg	289 mm	1750 mm	125 mm	365 mm	50 mm
LLJ 500-1.8	2000 Kg	339 mm	1750 mm	125 mm	365 mm	50 mm
LLJ 500-2.2	2500 Kg	354 mm	1750 mm	150 mm	440 mm	50 mm
LLJ 500-2.7	3000 Kg	364 mm	1750 mm	150 mm	440 mm	50 mm
LLJ 500-3.1	3500 Kg	364 mm	1750 mm	150 mm	440 mm	50 mm
LLJ 500-3.5	4000 Kg	414 mm	1750 mm	150 mm	440 mm	50 mm
LLJ 500-4.4	5000 Kg	438 mm	1750 mm	150 mm	510 mm	50 mm

Model Ref.	Weight	C of G
LLJ500-0.8	125 kg	692 mm
LLJ500-1.0	125 kg	692 mm
LLJ500-1.3	125 kg	692 mm
LLJ500-1.8	126 kg	692 mm
LLJ500-2.2	127 kg	692 mm
LLJ500-2.7	129 kg	812 mm
LLJ500-3.1	129 kg	812 mm
LLJ500-3.5	129 kg	812 mm
LLJ500-4.4	186 kg	840 mm



Model Ref.	Truck Capacity	Capacity (kg) at Load Centers (mm) shown					
		500	750	1000	1250	1500	1750
500-0.8	1000 kg	800	650	500	380	310	230
500-1.0	1300 kg	1000	800	630	470	388	280
500-1.3	1500 kg	1300	900	680	500	450	380
500-1.8	2000 kg	1800	1400	1100	900	720	580
500-2.2	2500 kg	2200	1800	1400	1100	1000	850
500-2.7	3000 kg	2700	2050	1450	1200	1100	900
500-3.1	3500 kg	3100	2500	1900	1500	1200	1000
500-3.5	4000 kg	3500	2700	2000	1600	1300	1100
500-4.4	5000 kg	4400	3400	2700	2200	1850	1400

### Ordering Information :-

Truck Capacity?  
Fork Width, Thickness and Length?  
Details of load to be handled?  
Max Fork Spread?

[www.forklift-attachments.co.uk](http://www.forklift-attachments.co.uk)  
email : [sales@forklift-attachments.co.uk](mailto:sales@forklift-attachments.co.uk)

**Freephone**  
**0800**  
**028 3332**

Call now for your personal  
quote and further info

